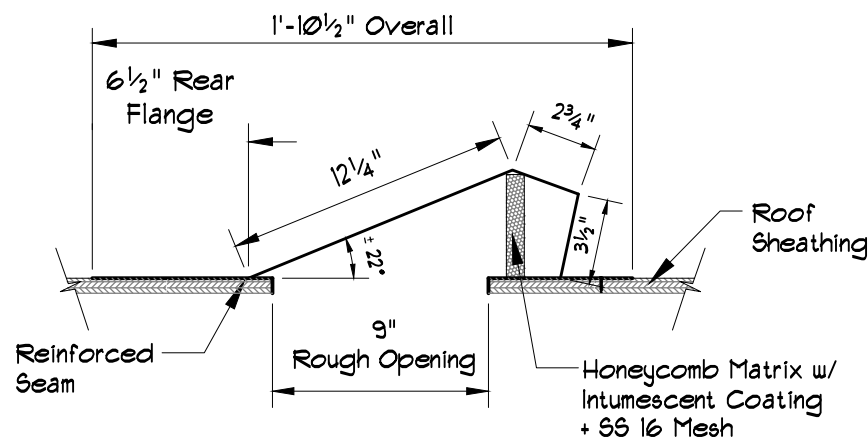


VDLR419 FRONT VIEW



VDLR419 LONGITUDINAL SECTION VIEW

MFG PART #	WIDTH	LENGTH	ROUGH OPENING	NET FREE AREA	FINISHED WALL MOUNT
VDLR419	3"	22 1/2"	9" W x 18 1/2" L	86 SQ. IN	5/8" ROOF SHEATHING

Section: Ventilation

Requirements for Roofing and Attic Ventilation

WILDLAND-URBAN INTERFACE (WUI)

BUILDING CODE (CBC), CHAPTER 1A

WUI COMPLIANT

(Extreme Heat 4 Ember Intrusion Testing)

NOTES:

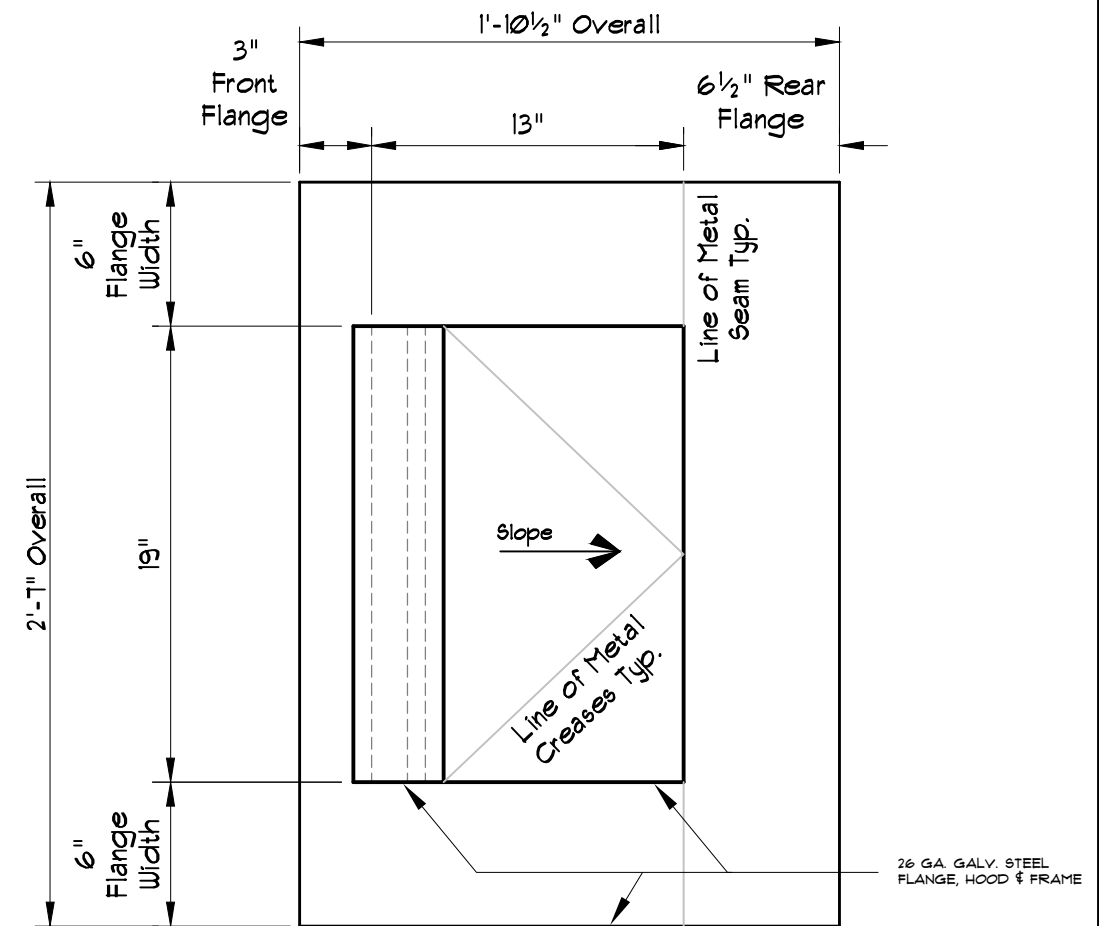
1. INSTALLATION TO BE COMPLETED IN ACCORDANCE WITH MANUFACTURER'S SPECIFICATIONS.
2. DO NOT SCALE DRAWING.
3. THIS DRAWING IS INTENDED FOR USE BY ARCHITECTS, ENGINEERS, CONTRACTORS, CONSULTANTS AND DESIGN PROFESSIONALS FOR PLANNING PURPOSES ONLY. THIS DRAWING MAY NOT BE USED FOR CONSTRUCTION.
4. ALL INFORMATION CONTAINED HEREIN WAS CURRENT AT THE TIME OF DEVELOPMENT BUT MUST BE REVIEWED AND APPROVED BY THE PRODUCT MANUFACTURER TO BE CONSIDERED ACCURATE.
5. CONTRACTOR'S NOTE: FOR PRODUCT AND COMPANY INFORMATION VISIT [www.vulcanvents.com](http://www.vulcanvents.com) AND REFERENCE [PART NUMBER.]

SS 16 MESH SPECIFICATIONS:

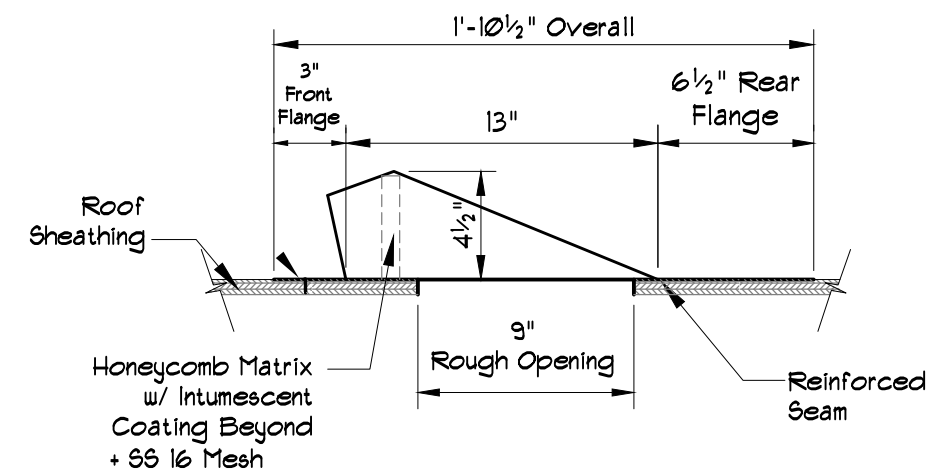
MATERIAL: 304 STAINLESS STEEL  
 MESH SIZE: 16/IN.  
 WIRE DIAMETER: .009 IN.  
 OPENING: .0625 IN. ± .003 IN.  
 OVERALL THICKNESS: .018 IN.

HONEYCOMB MATRIX SPECIFICATIONS:

MATERIAL: 3003H18 ALUMINUM ALLOY  
 CELL OPENING: .25 IN. ± 10%  
 FOIL THICKNESS: .0196 IN.  
 OVERALL THICKNESS: .0625 ± .0018 IN.



VDLR419 TOP VIEW



VDLR419 SIDE VIEW

LOW PROFILE 4" x 19" VENT  
 Scale: 1/2" = 1'-0"

