

Chapter 7A compliant: Tested and listed to ASTM2886.
OSFM BML listing: 8165-2192, ICC-ESL listing: 1300

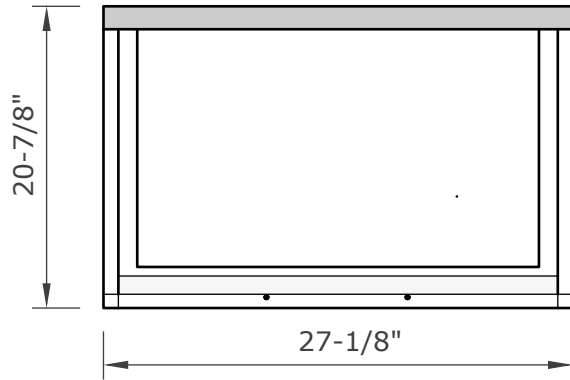
1 Hour Fire Rated, ICC-ESL listing: 1299. **Canadian Compliance** : ICC-ESL: 1455 [CAN/ULC-S101-14]

WWW.VULCANVENTS.COM (916) 652-7424 info@vulcanvents.com P.O. Box 1126 Loomis, CA. 95650

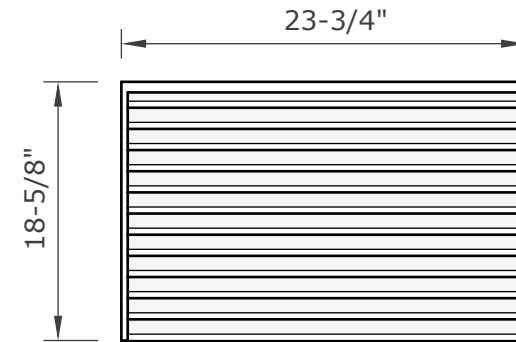


Recommended Installation:

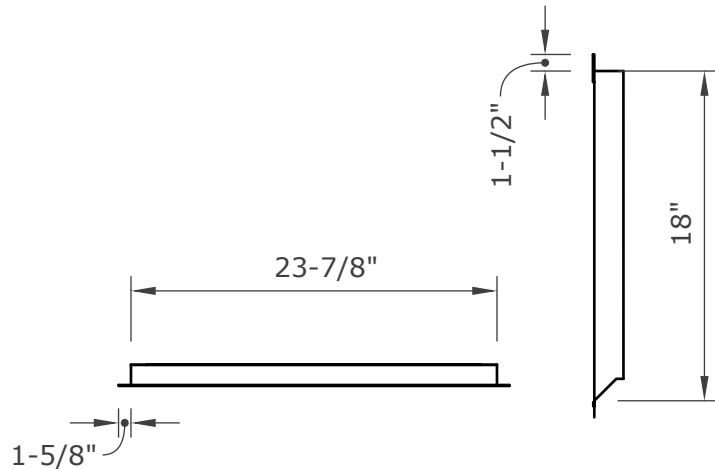
Use EverKem 814+ intumescent firestop caulking or similar, along flanges.
For application details and installation examples, please visit www.VulcanVents.com



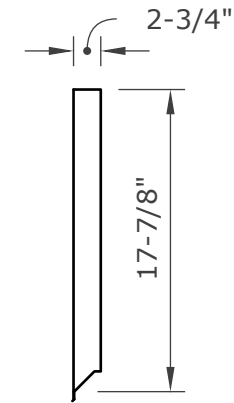
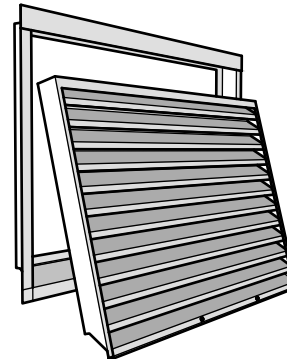
Frame Only - front view



Vent Door - front view



Frame Only - profile views

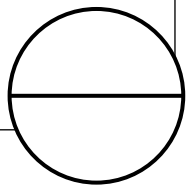


Vent Door - side view

NOTE:
Fits 18" x 24" rough opening

Proudly Manufactured By: **NEW CAL METALS INC.**

www.newcalmetals.com



VFS1824AV PRODUCT SPECIFICATION & DATA SHEET

Model Description	Access Vent	Flange Type	Flange Front	Frame & Flange	G90 Galvanized Steel - 26GA
Model Number	VFS1824AV	NFVA	177 sq. in.	Intumescent Core	5mm Hexagonal Matrix - Aluminum with intumescent coating
Model Size	18" x 24"			Ember Mesh	14 Mesh - 304 Stainless Steel