

Approved for use in the Wildland Urban Interface (W.U.I.)

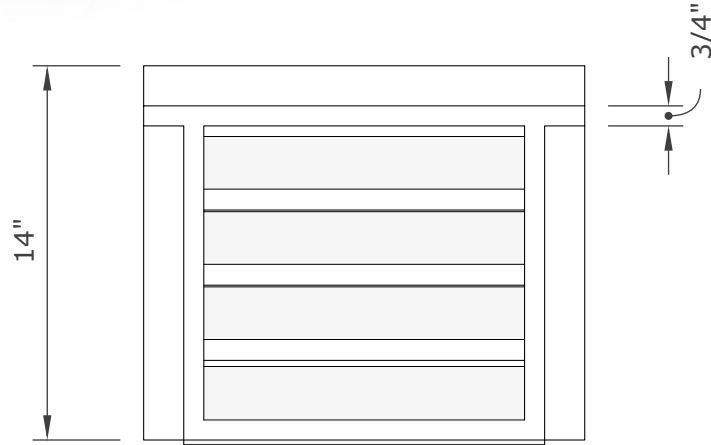
**Chapter 7A** compliant: Tested and listed to ASTM E2886. **ICC-ESL** listing: 1300

WWW.VULCANVENTS.COM

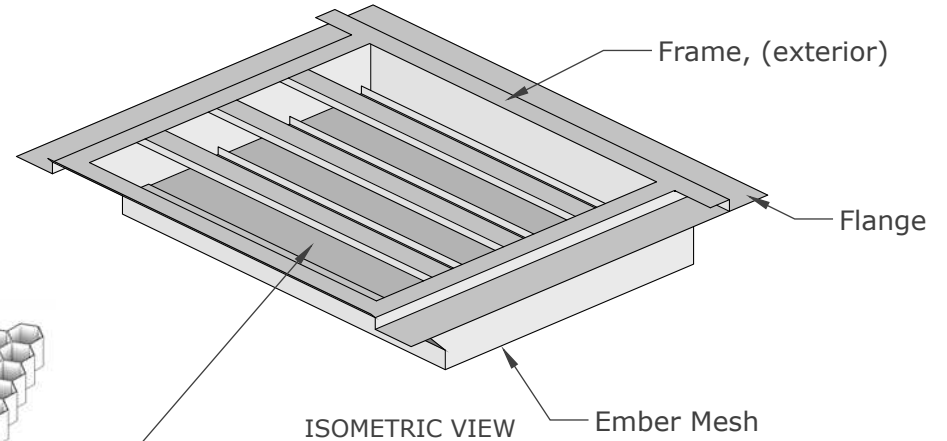
(916) 652-7424

info@newcalmetals.com

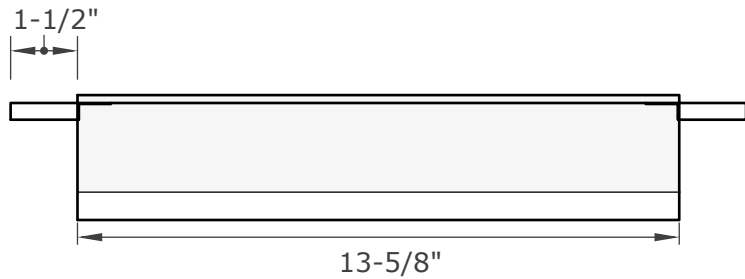
P.O. Box 1126 Loomis, CA. 95650



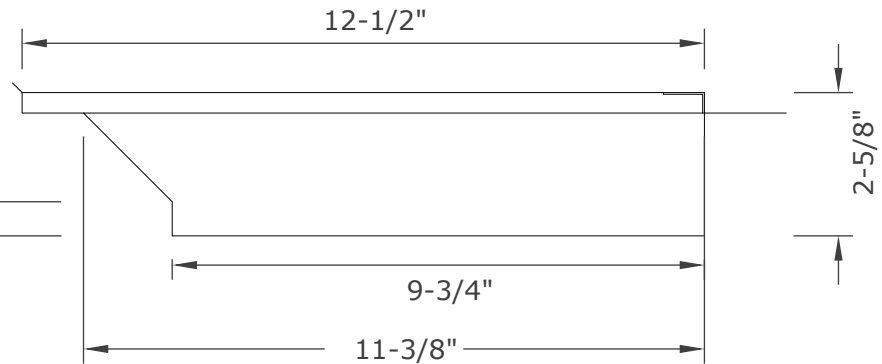
TOP VIEW



ISOMETRIC VIEW



END VIEW



SIDE VIEW

**VG1412FC PRODUCT SPECIFICATION & DATA SHEET**

Proudly Manufactured By: **NEW CAL METALS INC.**

www.newcalmetals.com

Model Description | **Gable Vent**  
 Model Number | **VG1412FC**  
 Model Size | **13-5/8" x 12-1/2"**

Flange Type | **Fiber Cement**  
 NFVA | **58 sq. in.**  
 Frame & Flange | **Intumescent Core**  
 Ember Mesh | **Ember Mesh**

**G90 Galvanized Perforated Steel - 26GA**  
**5mm Hexagonal Matrix - Aluminum with intumescent coating**  
**14 Mesh - 304 Stainless Steel**

