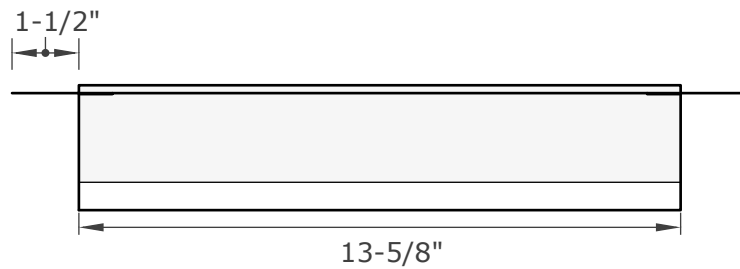
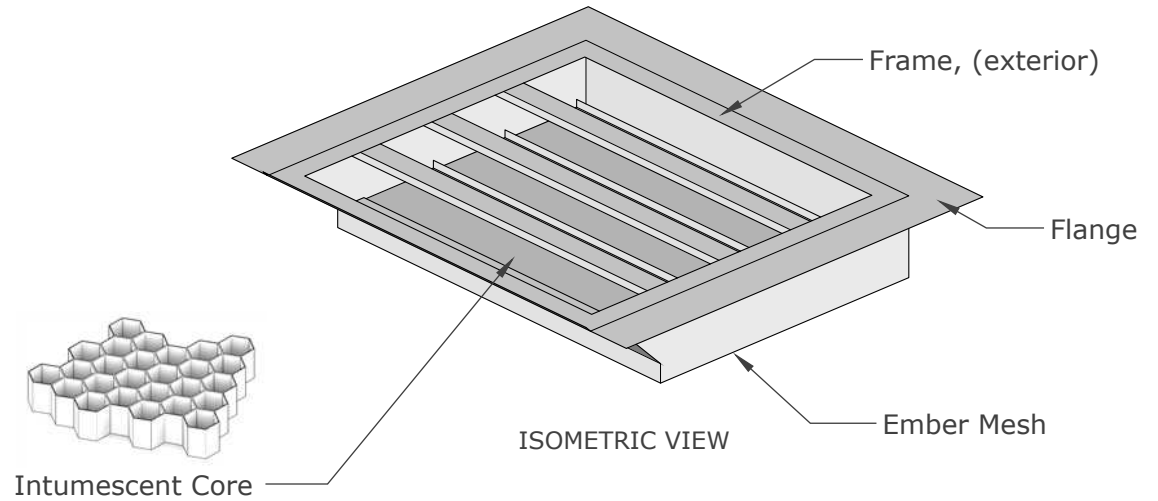


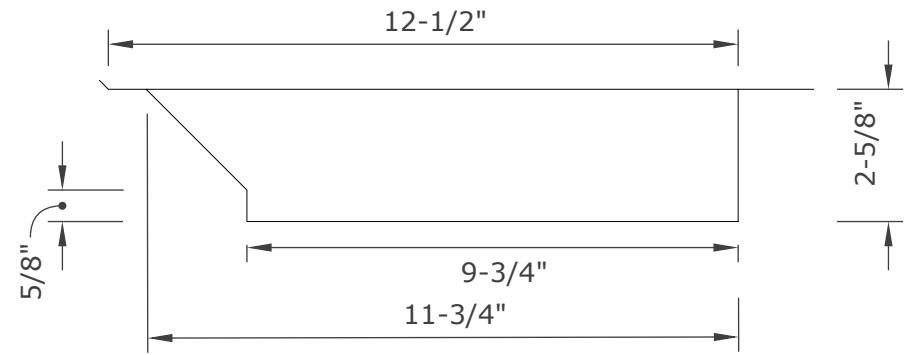
TOP VIEW



END VIEW



ISOMETRIC VIEW



SIDE VIEW

**VG1412FF PRODUCT SPECIFICATION & DATA SHEET**

Proudly Manufactured By: **NEW CAL METALS INC.**

www.newcalmetals.com

Model Description | **Gable Vent**  
 Model Number | **VG1412FF**  
 Model Size | **13-5/8" x 12-1/2"**

Flange Type | **Front**  
 NFVA | **58 sq. in.**

Frame & Flange | **G90 Galvanized Steel - 26GA**  
 Intumescent Core | **5mm Hexagonal Matrix - Aluminum with intumescent coating**  
 Ember Mesh | **14 Mesh - 304 Stainless Steel**

