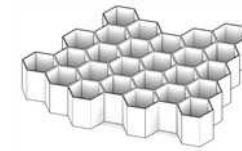
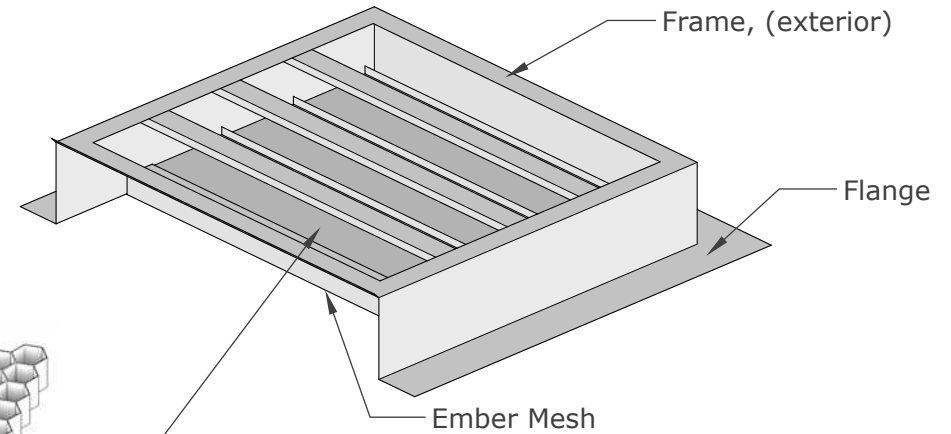


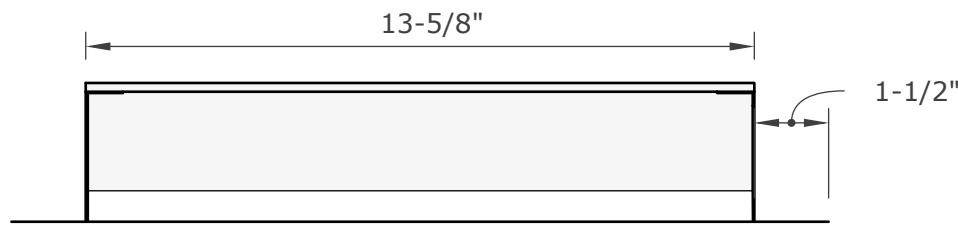
TOP VIEW



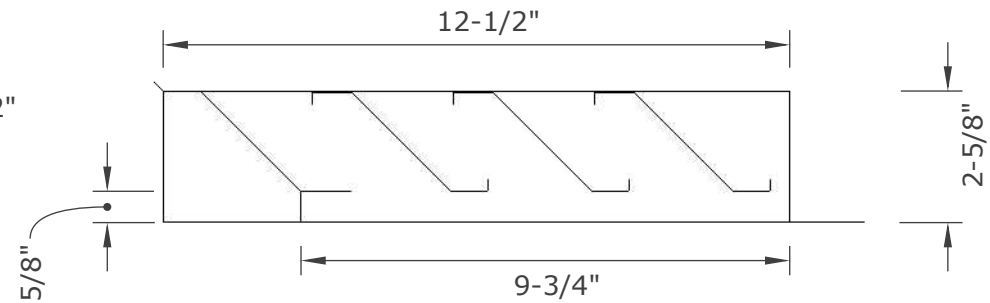
Intumescent Core



ISOMETRIC VIEW



END VIEW

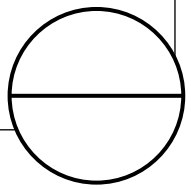


SIDE VIEW

**VG1412R PRODUCT SPECIFICATION & DATA SHEET**

Proudly Manufactured By: **NEW CAL METALS INC.**

www.newcalmetals.com



Model Description	<b>Gable Vent</b>	Flange Type	<b>Retro</b>	Frame & Flange	<b>G90 Galvanized Steel - 26GA</b>
Model Number	<b>VG1412R</b>	NFVA	<b>58 sq. in.</b>	Intumescent Core	<b>5mm Hexagonal Matrix - Aluminum with intumescent coating</b>
Model Size	<b>13-5/8" x 12-1/2"</b>			Ember Mesh	<b>14 Mesh - 304 Stainless Steel</b>