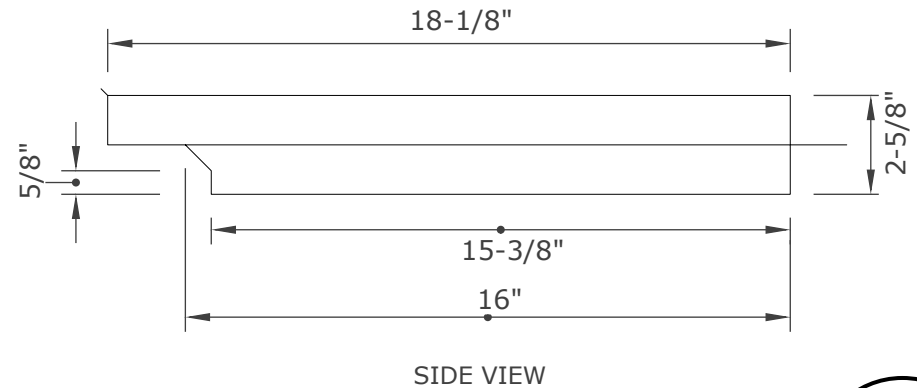
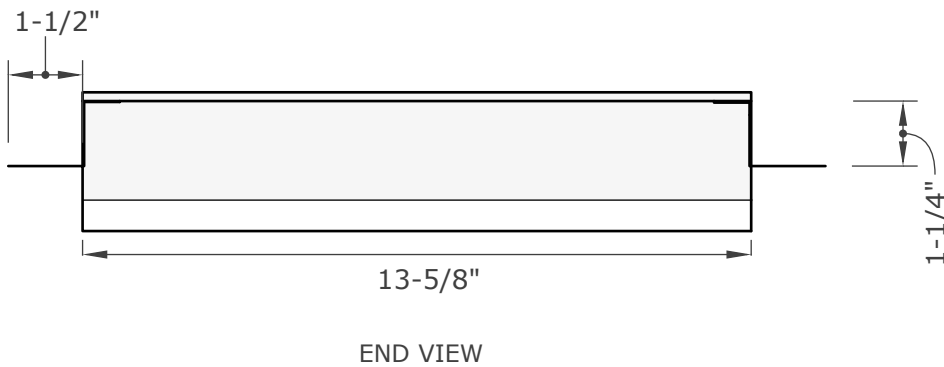
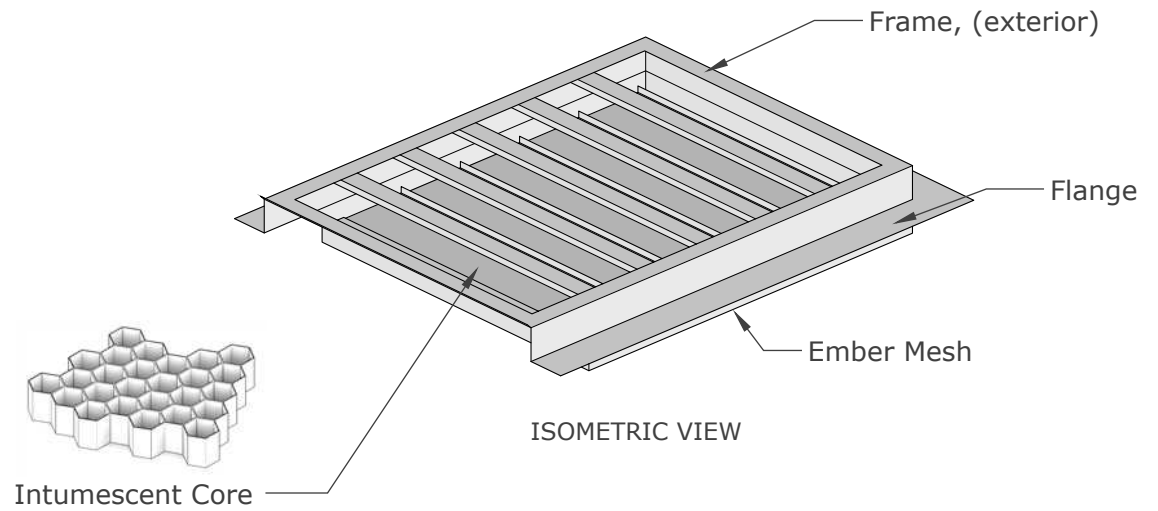
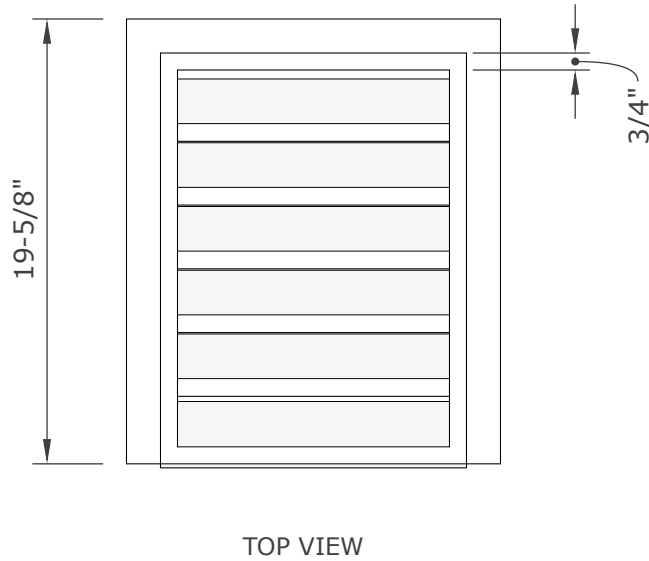


Approved for use in the Wildland Urban Interface (W.U.I.)

Chapter 7A compliant: Tested and listed to ASTM E2886. **ICC-ESL** listing: 1300

WWW.VULCANVENTS.COM (916) 652-7424 info@newcalmetals.com P.O. Box 1126 Loomis, CA. 95650



VG1418FM PRODUCT SPECIFICATION & DATA SHEET

Proudly Manufactured By: **NEW CAL METALS INC.**

www.newcalmetals.com

Model Description | **Gable Vent**
 Model Number | **VG1418FM**
 Model Size | **13-5/8" x 18-1/2"**

Flange Type | **Middle**
 NFVA | **86 sq. in.**

Frame & Flange | **G90 Galvanized Steel - 26GA**
 Intumescent Core | **5mm Hexagonal Matrix - Aluminum with intumescent coating**
 Ember Mesh | **14 Mesh - 304 Stainless Steel**

G90 Galvanized Steel - 26GA
5mm Hexagonal Matrix - Aluminum with intumescent coating
14 Mesh - 304 Stainless Steel

