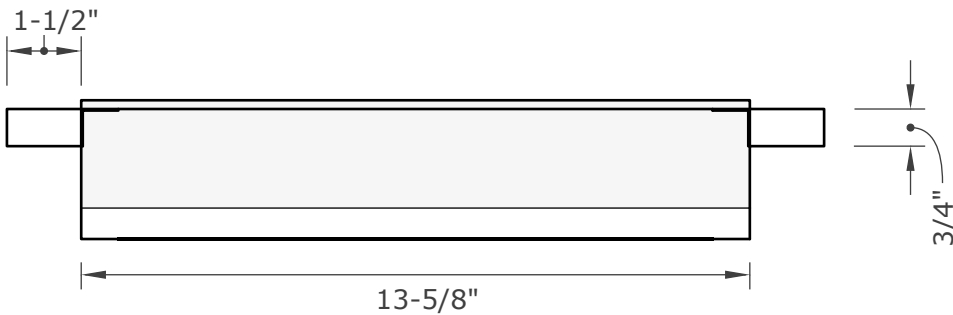
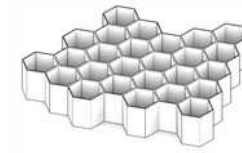


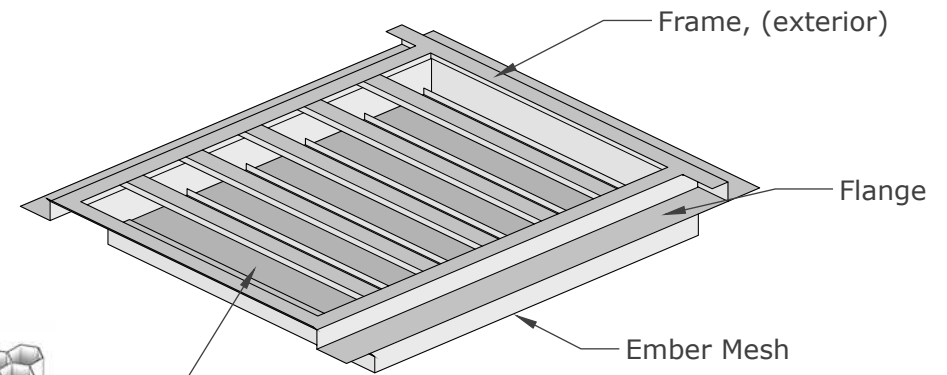
TOP VIEW



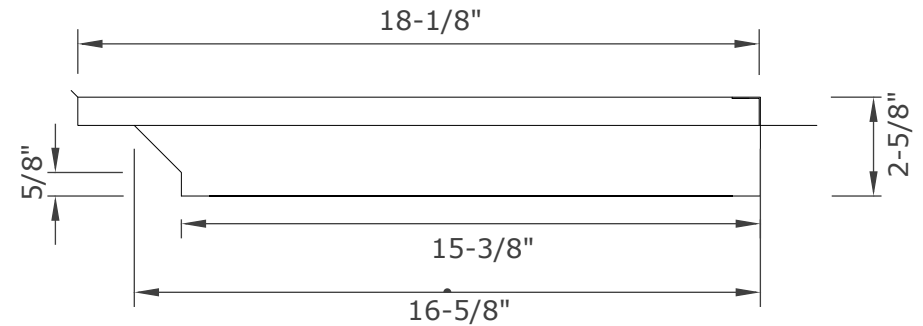
END VIEW



Intumescent Core



ISOMETRIC VIEW



SIDE VIEW

VG1418S PRODUCT SPECIFICATION & DATA SHEET

Proudly Manufactured By: NEW CAL METALS INC.

www.newcalmetals.com

Model Description	Gable Vent	Flange Type	Stucco	Frame & Flange	G90 Galvanized Steel - 26GA
Model Number	VG1418S	NFVA	86 sq. in.	Intumescent Core	5mm Hexagonal Matrix - Aluminum with intumescent coating
Model Size	13-5/8" x 18-1/2"			Ember Mesh	14 Mesh - 304 Stainless Steel

