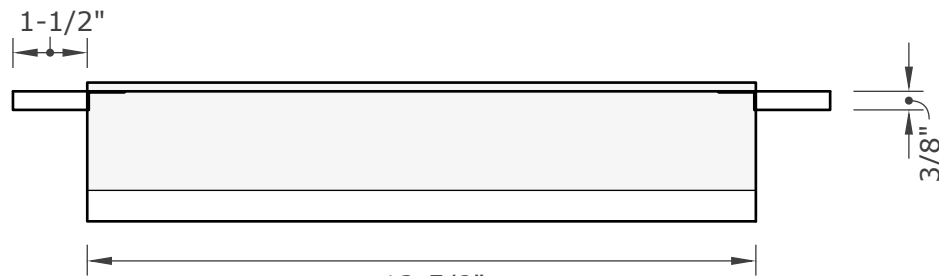
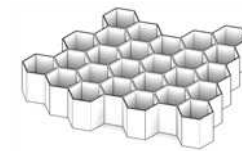


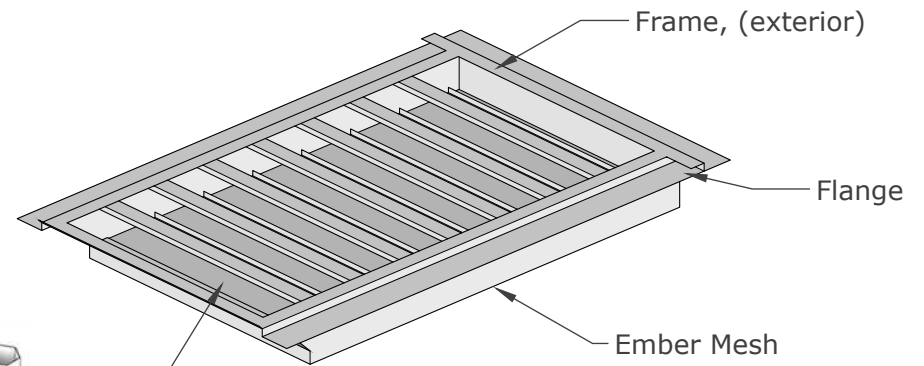
TOP VIEW



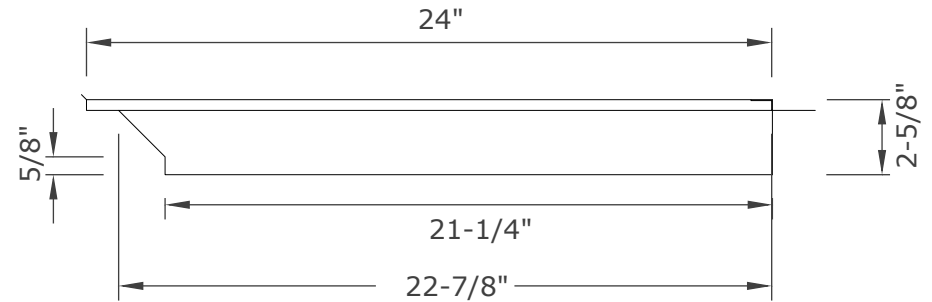
END VIEW



Intumescent Core



ISOMETRIC VIEW



SIDE VIEW

VG1424FC PRODUCT SPECIFICATION & DATA SHEET

Proudly Manufactured By: **NEW CAL METALS INC.**

www.newcalmetals.com

Model Description | **Gable Vent**
 Model Number | **VG1424FC**
 Model Size | **13-5/8" x 24-1/2"**

Flange Type | **Fiber Cement**
 NFVA | **115 sq. in.**

Frame & Flange | **G90 Galvanized Steel - 26GA**
 Intumescent Core | **5mm Hexagonal Matrix - Aluminum with intumescent coating**
 Ember Mesh | **14 Mesh - 304 Stainless Steel**

G90 Galvanized Steel - 26GA
5mm Hexagonal Matrix - Aluminum with intumescent coating
14 Mesh - 304 Stainless Steel

