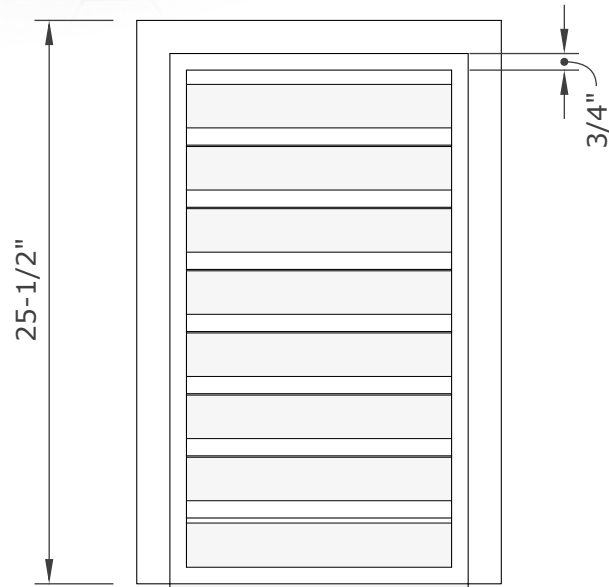


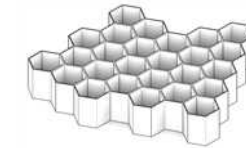
Approved for use in the Wildland Urban Interface (W.U.I.)

Chapter 7A compliant: Tested and listed to ASTM E2886. **ICC-ESL** listing: 1300

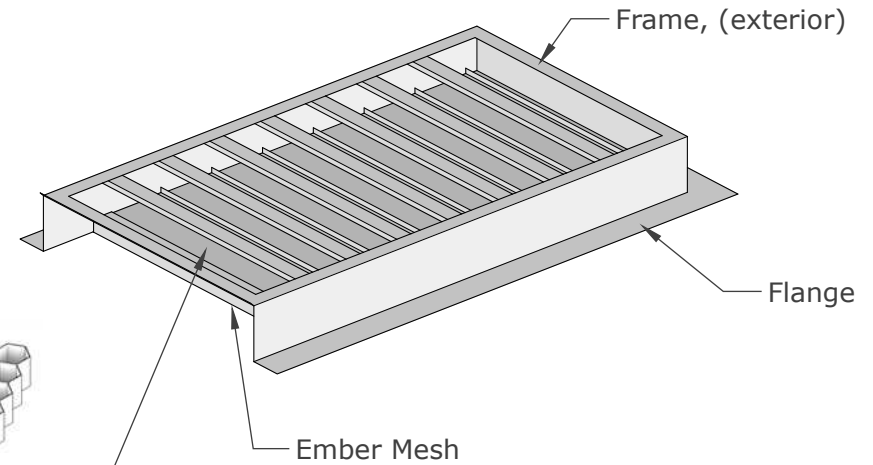
WWW.VULCANVENTS.COM (916) 652-7424 info@newcalmetals.com P.O. Box 1126 Loomis, CA. 95650



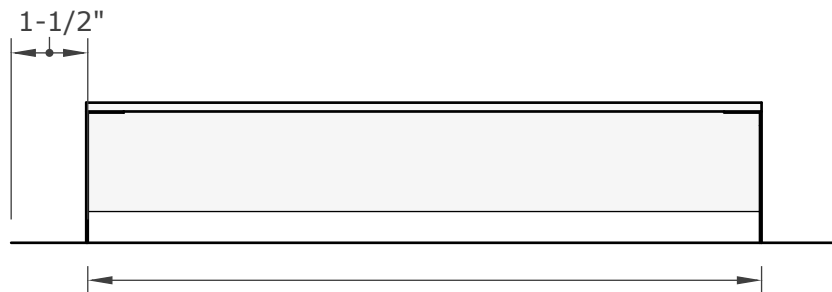
TOP VIEW



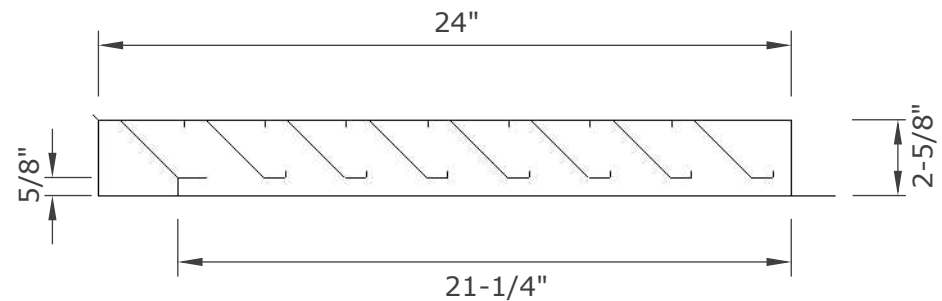
Intumescent Core



ISOMETRIC VIEW



END VIEW

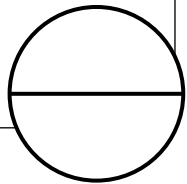


SIDE VIEW

VG1424R PRODUCT SPECIFICATION & DATA SHEET

Proudly Manufactured By: NEW CAL METALS INC.

www.newcalmetals.com



Model Description	Gable Vent	Flange Type	Retro	Frame & Flange	G90 Galvanized Steel - 26GA
Model Number	VG1424R	NFVA	115 sq. in.	Intumescent Core	5mm Hexagonal Matrix - Aluminum with intumescent coating
Model Size	13-5/8" x 24-1/2"			Ember Mesh	14 Mesh - 304 Stainless Steel