

Approved for use in the Wildland Urban Interface (W.U.I.)

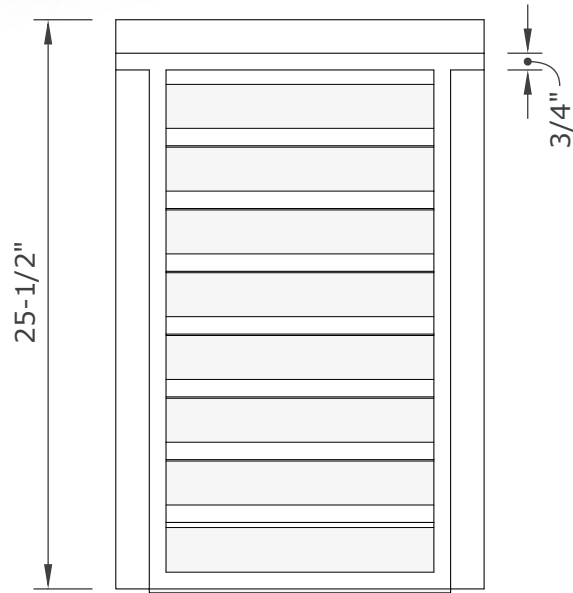
Chapter 7A compliant: Tested and listed to ASTM E2886. **ICC-ESL** listing: 1300

WWW.VULCANVENTS.COM

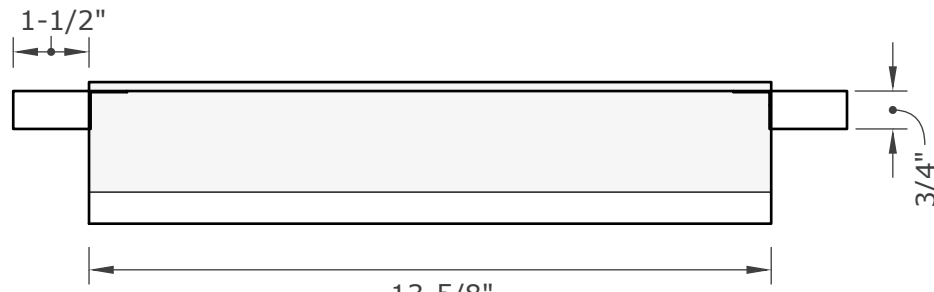
(916) 652-7424

info@newcalmetals.com

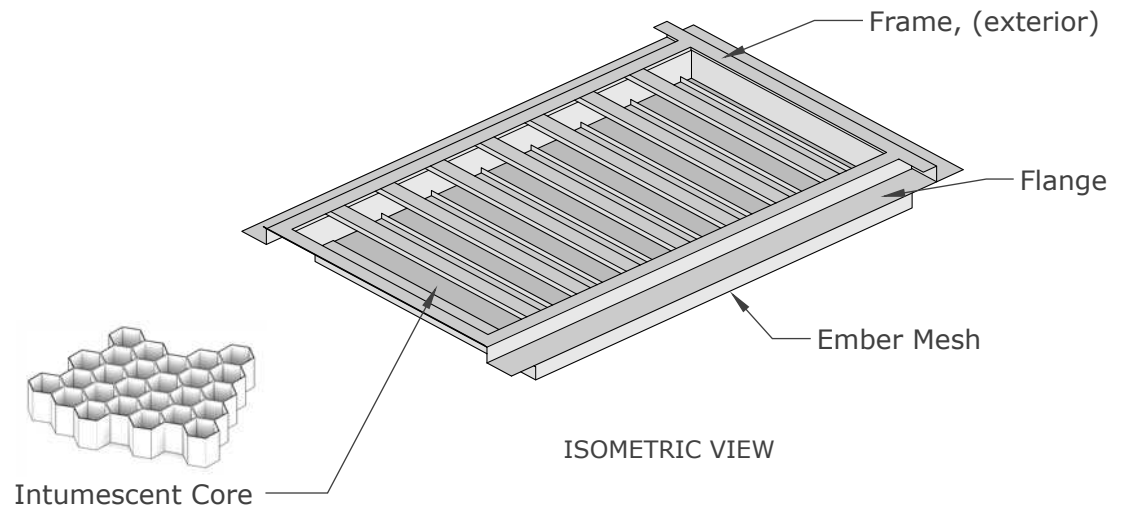
P.O. Box 1126 Loomis, CA. 95650



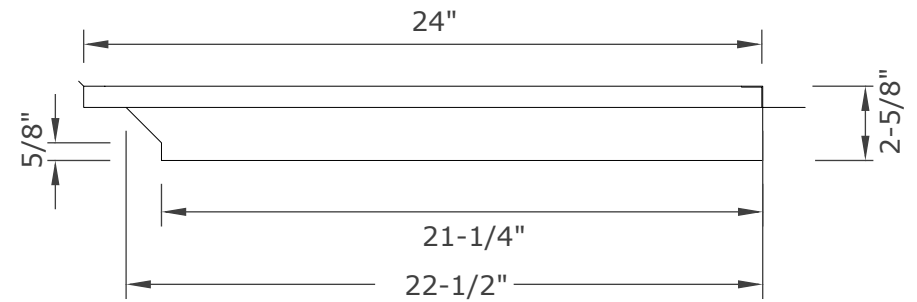
TOP VIEW



END VIEW



ISOMETRIC VIEW



SIDE VIEW

VG1424S PRODUCT SPECIFICATION & DATA SHEET

Proudly Manufactured By: **NEW CAL METALS INC.**

www.newcalmetals.com

Model Description | **Gable Vent**
 Model Number | **VG1424S**
 Model Size | **13-5/8" x 24-1/2"**

Flange Type | **Stucco**
 NFVA | **115 sq. in.**

Frame & Flange | **G90 Galvanized Steel - 26GA**
 Intumescent Core | **5mm Hexagonal Matrix - Aluminum with intumescent coating**
 Ember Mesh | **14 Mesh - 304 Stainless Steel**

