

Approved for use in the Wildland Urban Interface (W.U.I.)

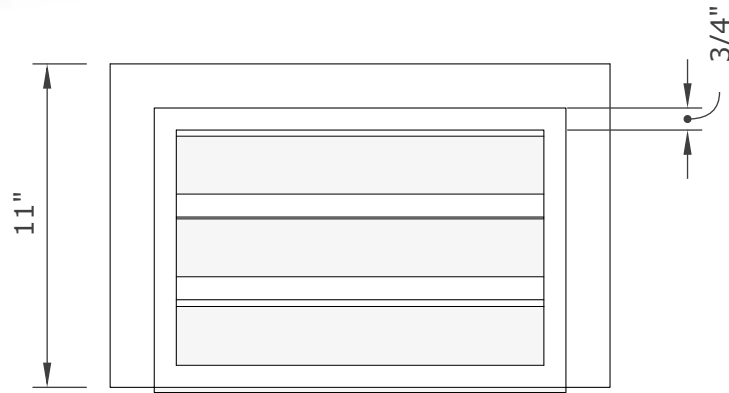
Chapter 7A compliant: Tested and listed to ASTM E2886. **ICC-ESL** listing: 1300

WWW.VULCANVENTS.COM

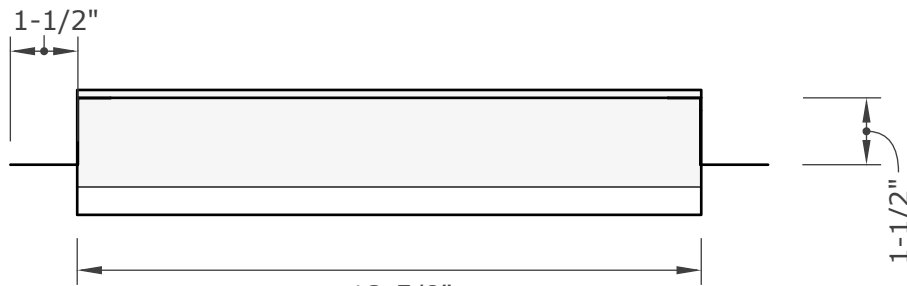
(916) 652-7424

info@newcalmetals.com

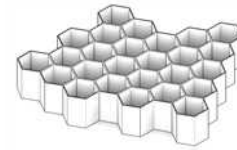
P.O. Box 1126 Loomis, CA. 95650



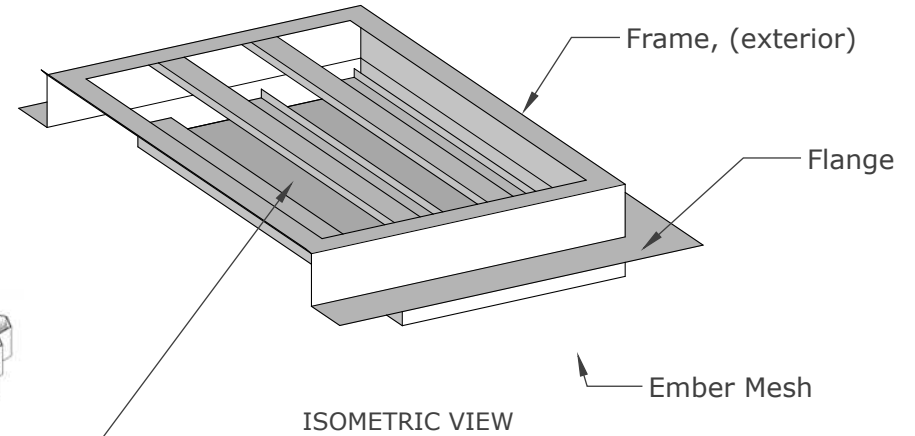
TOP VIEW



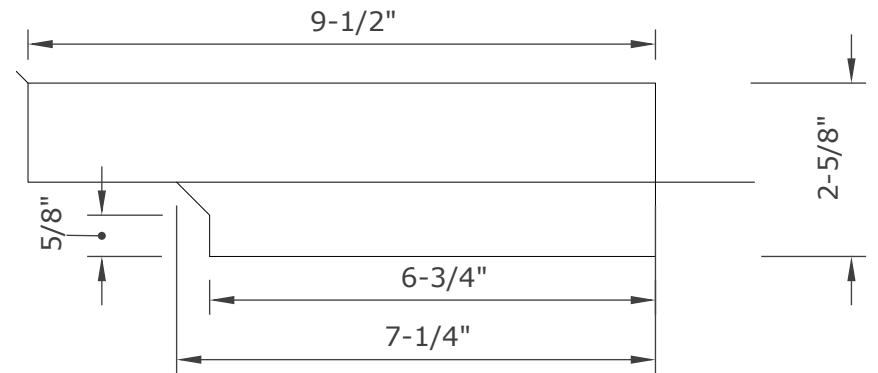
END VIEW



Intumescent Core



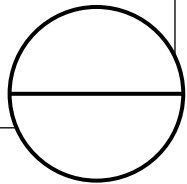
ISOMETRIC VIEW



END VIEW

Proudly Manufactured By: NEW CAL METALS INC.

www.newcalmetals.com



VG148FB PRODUCT SPECIFICATION & DATA SHEET

Model Description	Gable Vent	Flange Type	Foam Back	Frame & Flange	G90 Galvanized Steel - 26GA
Model Number	VG148FB	NFVA	29 sq. in.	Intumescent Core	5mm Hexagonal Matrix - Aluminum with intumescent coating
Model Size	13-5/8" x 9-1/2"			Ember Mesh	14 Mesh - 304 Stainless Steel