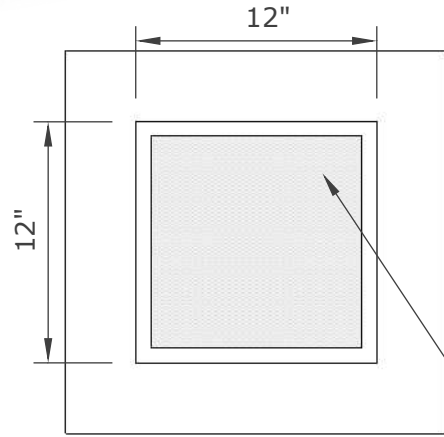


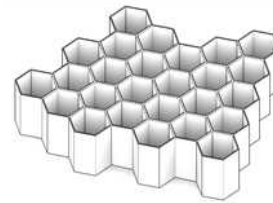
Approved for use in the Wildland Urban Interface (W.U.I.)

Chapter 7A compliant: Tested and listed to ASTM E2886. **ICC-ESL** listing: 1300

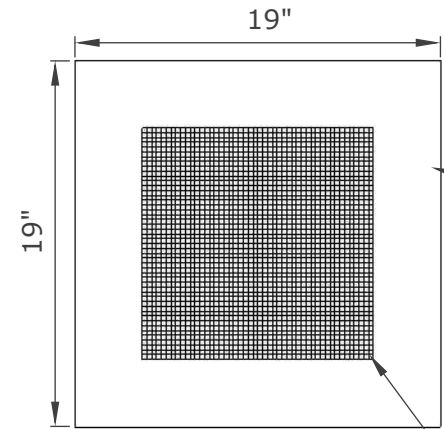
WWW.VULCANVENTS.COM (916) 652-7424 info@newcalmetals.com P.O. Box 1126 Loomis, CA. 95650



TOP VIEW



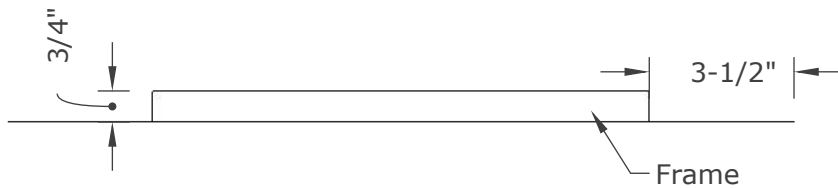
Intumescent Core



BOTTOM VIEW

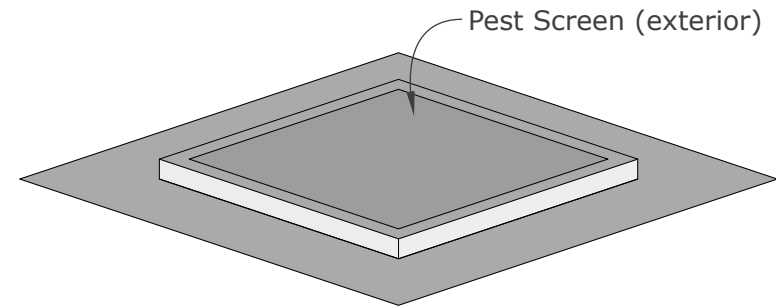
Flange

Ember Mesh (interior)



SIDE VIEW

Frame



ISOMETRIC VIEW

Pest Screen (exterior)

VSB1212 PRODUCT SPECIFICATION & DATA SHEET

Proudly Manufactured By: NEW CAL METALS INC.

www.newcalmetals.com

Model Description	Sub Base Vent	Flange Type	Standard	Frame & Flange	G90 Galvanized Steel - 26GA
Model Number	VSB1212	NFVA	105 sq. in.	Intumescent Core	5mm Hexagonal Matrix - Aluminum with intumescent coating
Model Size	12" x 12"			Ember Mesh	14 Mesh - 304 Stainless Steel (Faces interior)
				Pest Screen	Galvanized Steel Screen - 1/8" (Faces exterior)

