

**Chapter 7A** compliant: Tested and listed to ASTM2886.  
OSFM BML listing: 8165-2192, ICC-ESL listing: 1300

**1 Hour Fire Rated**, ICC-ESL listing: 1299. **Canadian Compliance** : ICC-ESL: 1455 [CAN/ULC-S101-14]

WWW.VULCANVENTS.COM (916) 652-7424 info@vulcanvents.com P.O. Box 1126 Loomis, CA. 95650

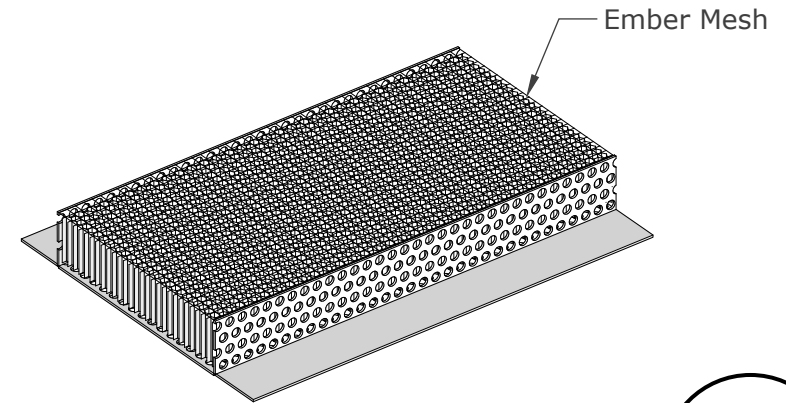
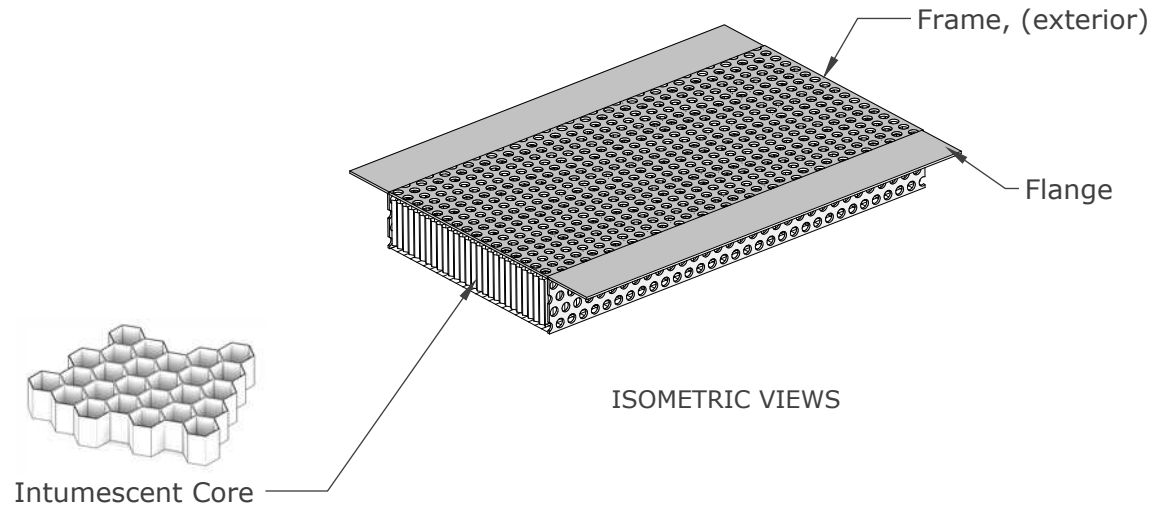
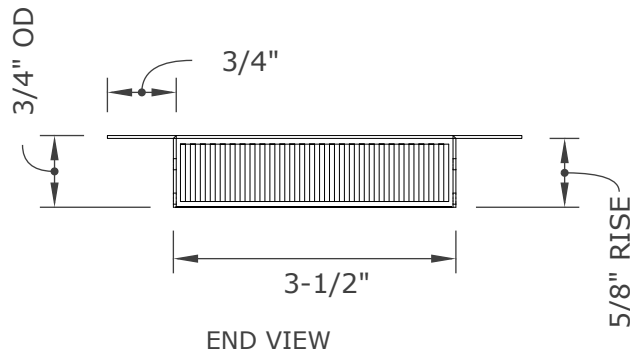
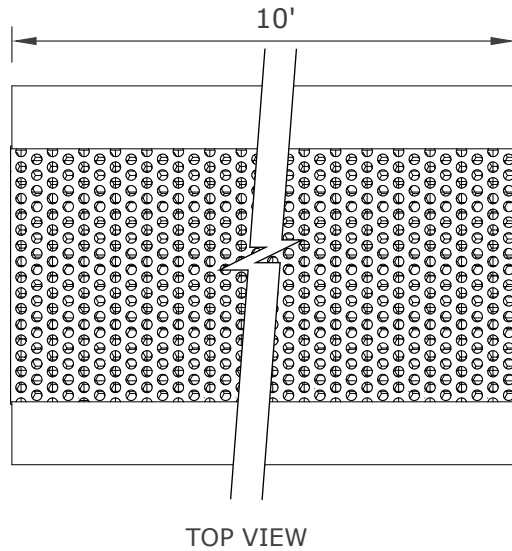


1299,1300,1455



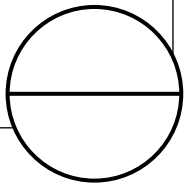
**Recommended Installation:**

**Use EverKem 814+ intumescent firestop caulking** or similar, along flanges.  
For application details and installation examples, please visit [www.VulcanVents.com](http://www.VulcanVents.com)



Proudly Manufactured By: NEW CAL METALS INC.

[www.newcalmetals.com](http://www.newcalmetals.com)



**VSC35120FF PRODUCT SPECIFICATION & DATA SHEET**

Model Description	<b>Continuous Vent</b>	Flange Type	<b>Flange Front</b>	Frame & Flange	<b>G90 Galvanized Perforated Steel (1/8" holes) - 24GA</b>
Model Number	<b>VSC35120FF</b>	NFVA	<b>168 sq. in.</b>	Intumescent Core	<b>5mm Hexagonal Matrix - Aluminum with intumescent coating</b>
Model Size	<b>3-1/2" x 120"</b>			Ember Mesh	<b>14 Mesh - 304 Stainless Steel</b>